



RTM-50P

36 Cells
 Poly-crystalline

50W
 Power output

13.44%
 The Highest Efficiency

0~+5W
 Tolerance

WWW.RESTARSOLAR.COM

RTM-50P is a robust solar module with 36 solar cells. These modules can be used for on-grid solar applications. Our meticulous design and production techniques ensure a high-yield, long-term performance for every module produced. Our rigorous quality control and in-house testing facilities guarantee Resun Solar's modules meet the highest quality standards possible.



High module conversion efficiency (up to 13.44%), through superior manufacturing technology



Guaranteed 0~+5W positive power output tolerance ensures high reliability



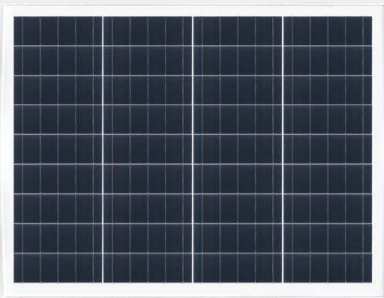
Anti-reflective, hydrophobic coating improves light absorption and reduces surface dust



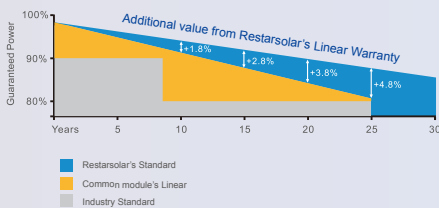
Excellent performance under low light environments (mornings, evenings and cloudy days)



Suitable for harsh environments, such as coasts, deserts and lakes. Withstand high level of wind loads (2400pa) and snow loads (5400pa)



0.5% Annual Degradation over 30 years

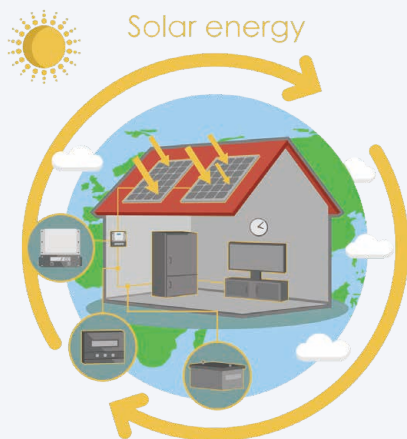
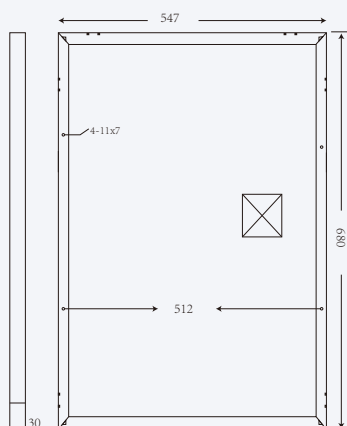
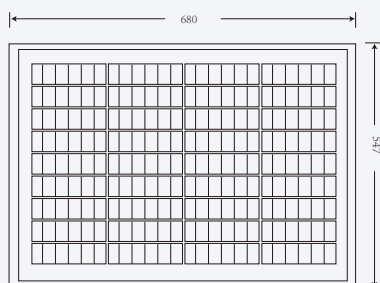


Full range of products and certification systems

ISO 9001 TUV PID-FREE CE IEC61215/61730/61701/62716



Dimension of PV Modules Unit: mm



ELECTRICAL DATA(STC)

Rated Power in Watts-Pmax(Wp)	50W
Open Circuit Voltage-Voc(V)	22.68V
Short Circuit Current-Isc(A)	2.94A
Maximum Power Voltage-Vmp(V)	18.54V
Maximum Power Current-Imp(A)	2.70A
Module Efficiency (%)	13.44%

STC: Irradiance 1000 W/m², Cell Temperature 25°C, Air Mass AM1.5 according to EN 60904-3.

ELECTRICAL DATA(NOCT)

Maximum Power-Pmax (Wp)	36.98W
Open Circuit Voltage-Voc (V)	21.70V
Short Circuit Current-Isc (A)	2.28A
Maximum Power Voltage-Vmp(V)	17.20V
Maximum Power Current-Imp(A)	2.15A

NOCT: Irradiance at 800 W/m², Ambient Temperature 20°C, Wind Speed 1 m/s.

MECHANICAL DATA

Solar cells	Poly-crystalline 156x52mm 4 or 5 Bus bars
Cell configuration	36 cells(4x9)
Module dimensions	680x547x30 mm
Weight	5.0KGS
Front Cover	3.2mm Tempered Glass
Frame Material	Anodized Aluminum Alloy
J-BOX	IP65 or IP67, 2 Diodes
Cable	2.5mm ² (IEC)/12AWG(UL),900mm
Connectors	MC4 or MC4 Comparable
Standard Packaging	5pcs/suite box

TEMPERATURE & MAXIMUM RATINGS

Nominal Operating Cell Temperature (NOCT)	45°C±2°C
Temperature Coefficient of Voc	-0.32%/°C
Temperature Coefficient of Isc	0.05%/°C
Temperature Coefficient of Pmax	-0.39%/°C
Operational Temperature	-40~+85°C
Maximum System Voltage	1000V(IEC)/600V(UL)
Max Series Fuse Rating	10A
Limiting Reverse Current	10A